



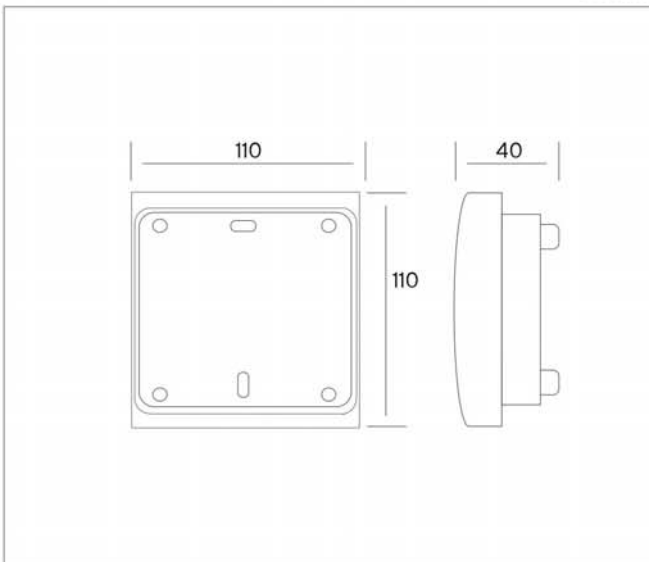
IS Series INDOOR SIRENS

Features

- Low current
- LED indicator
- Screwless installation
- Sound comes from the back of the siren
- Tamper
- Stylish design
- 12VDC

Dimensions

Unit:mm



IS 210 / IS 211

Outline

High sound level. Compatible with all kind of alarm panels. IS 210 and IS 211 have the tamper switch for sabotage. Stylish design and user friendly. Indoor applications.

Technical Specifications

Model	IS 210	IS 211
Application area	Security	
Operating voltage	12VDC	
Frequency for sound 1	3334Hz	
Frequency for sound 2	2250-3400Hz	
Sound output	min.100dB (1m)	
Alarm current	160mA	
LED Indicator	Single	Triplet
Tamper	Available	
Output	Terminate blocks	
Environment	Indoor	
Housing	ABS plastic	
Color of housing	White	
Dimensions (mm)	110 x 110 x 40	
Weight	125gr	
Operating temperature	-10°C ~ +55°C	